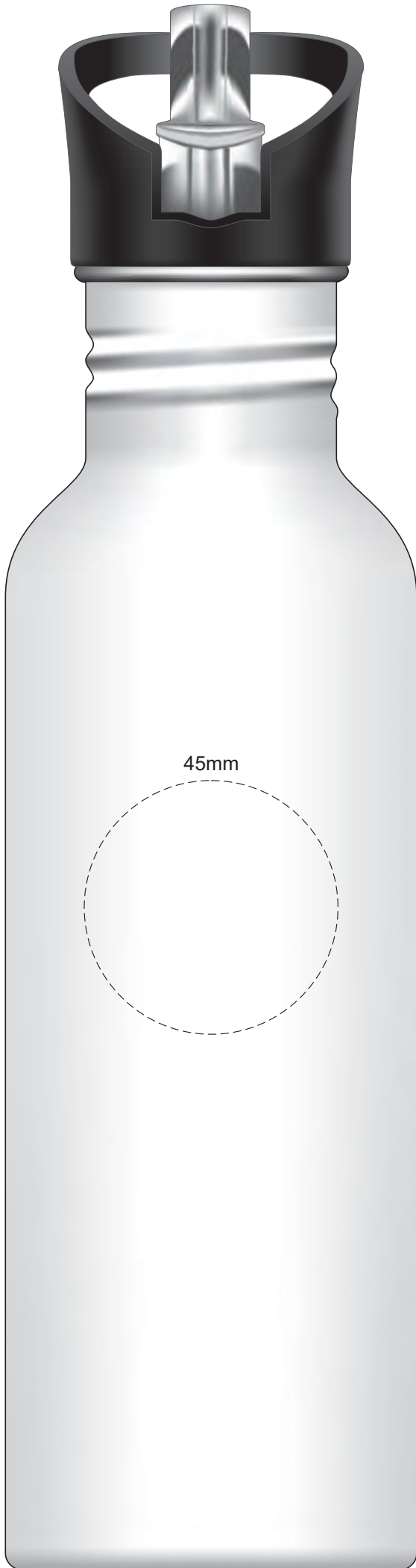
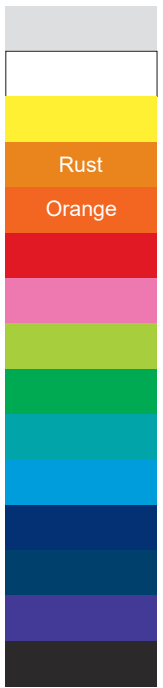
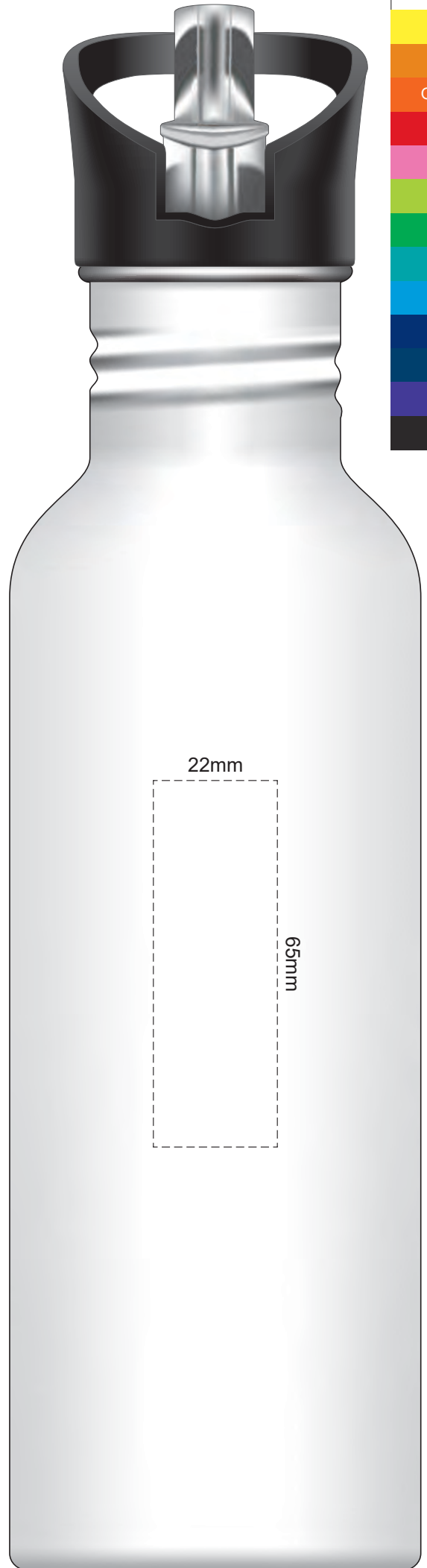
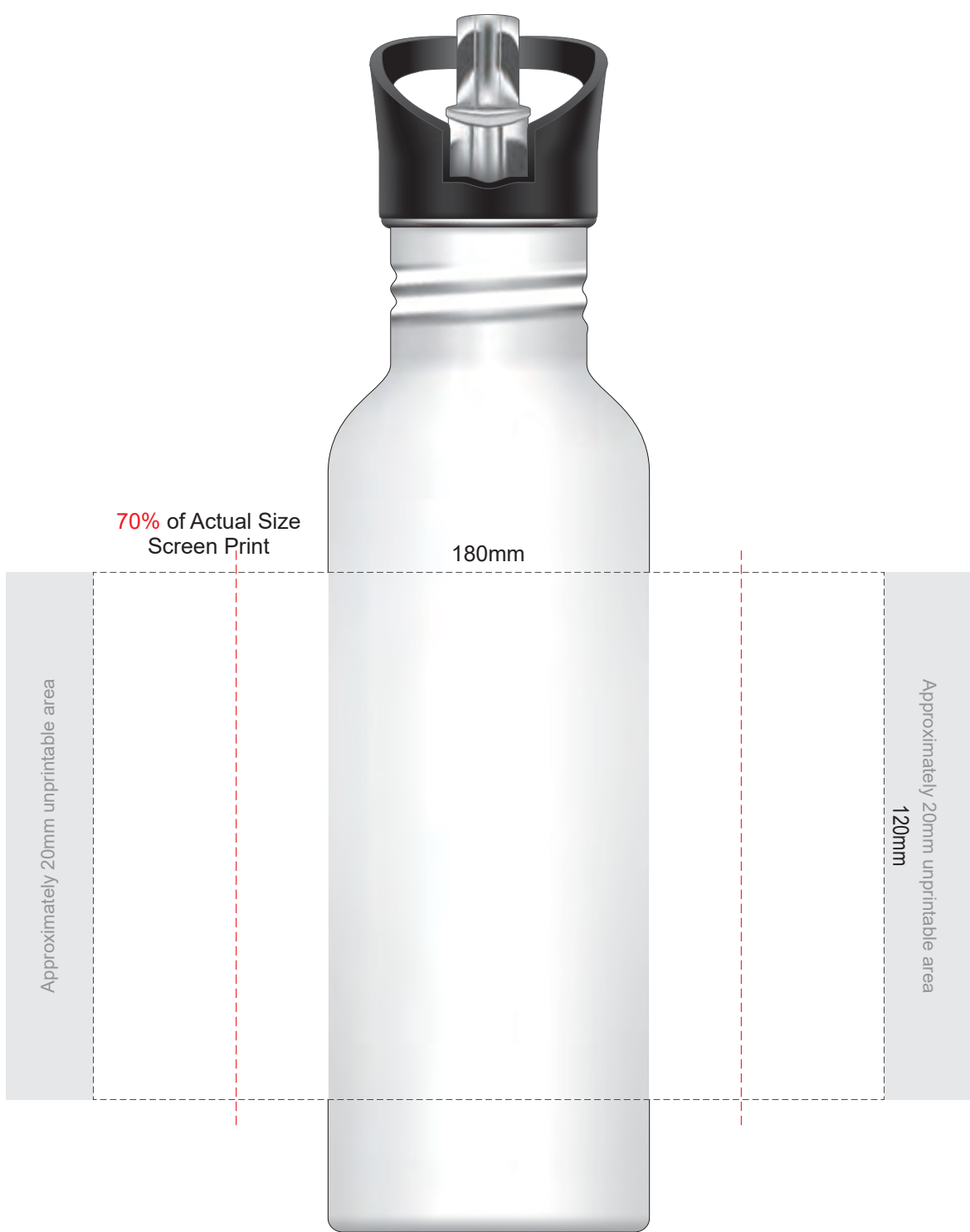


100% of Actual Size  
Pad Print



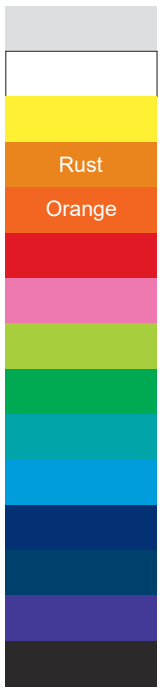
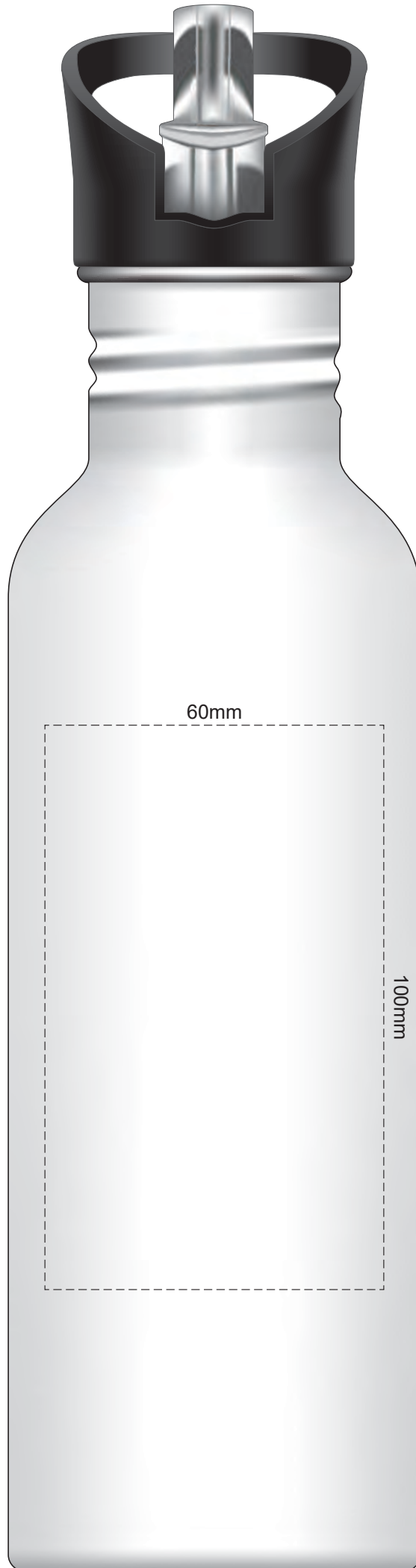
100% of Actual Size  
Pad Print





Red Line = Exact opposites of the product  
(centre artwork to the red line)

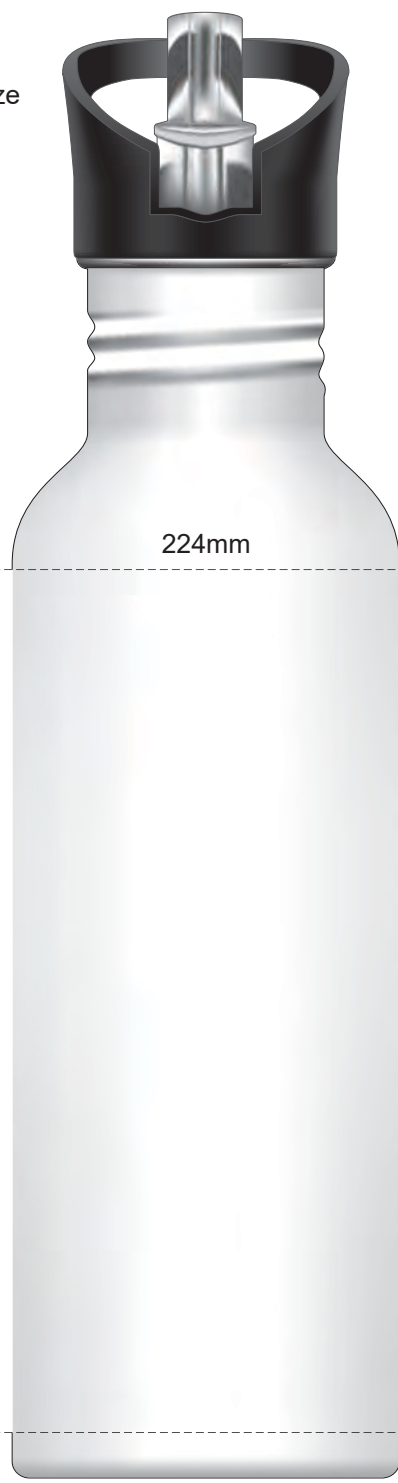
100% of Actual Size  
Engraving



-  Stainless Engraves to a Natural Etch
-  Colours Engraves to a Shiny Steel Finish



70% of Actual Size  
Rotary Digital  
(Gloss Finish)

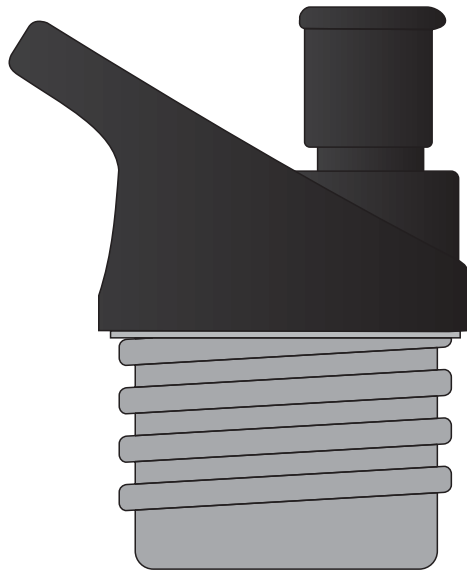


Approximately 1mm unprintable area

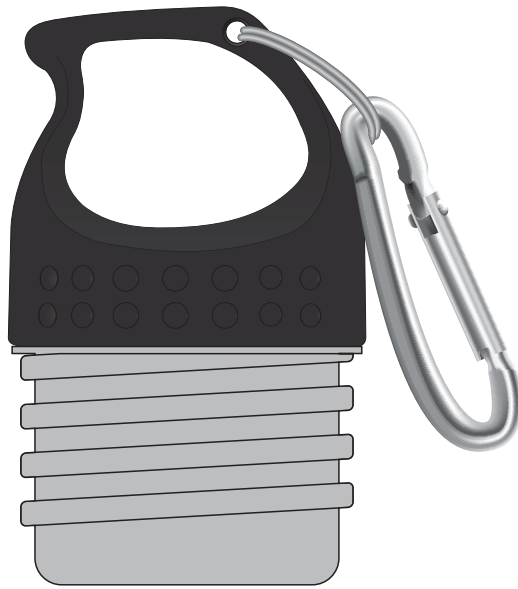
Approximately 1mm unprintable area  
163mm

Red Line = Exact opposites of the product  
(centre artwork to the red line)

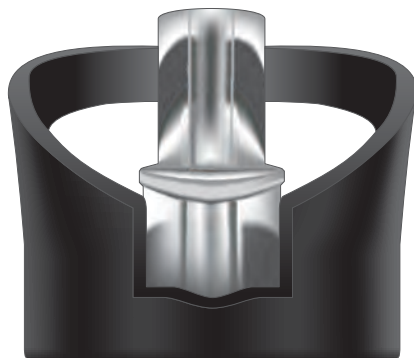
**SIPPER LID**



**CARABINER LID**

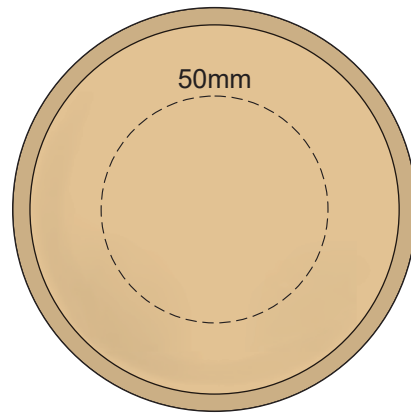
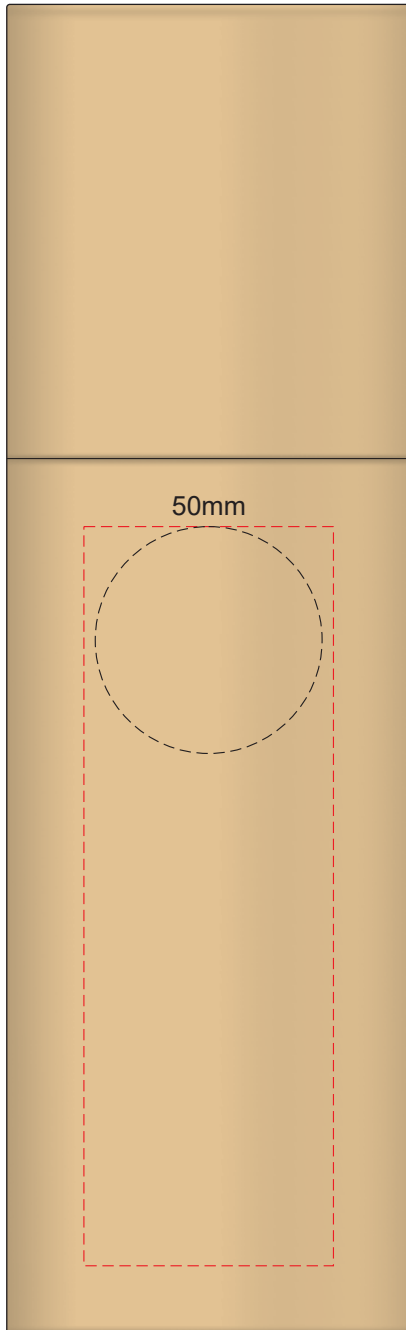


**FLIP VALVE LID**





60% of Actual Size  
Pad Print (one colour)



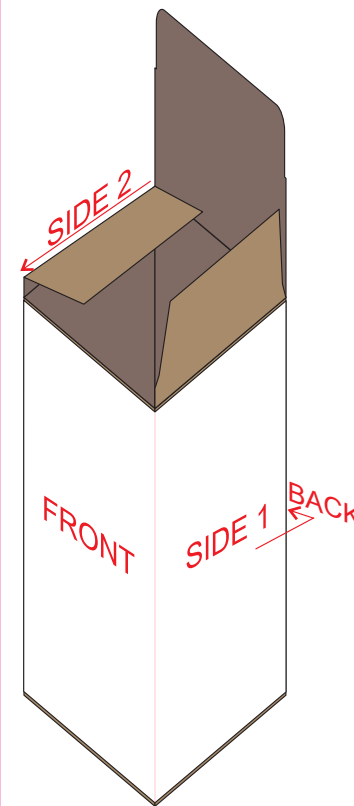
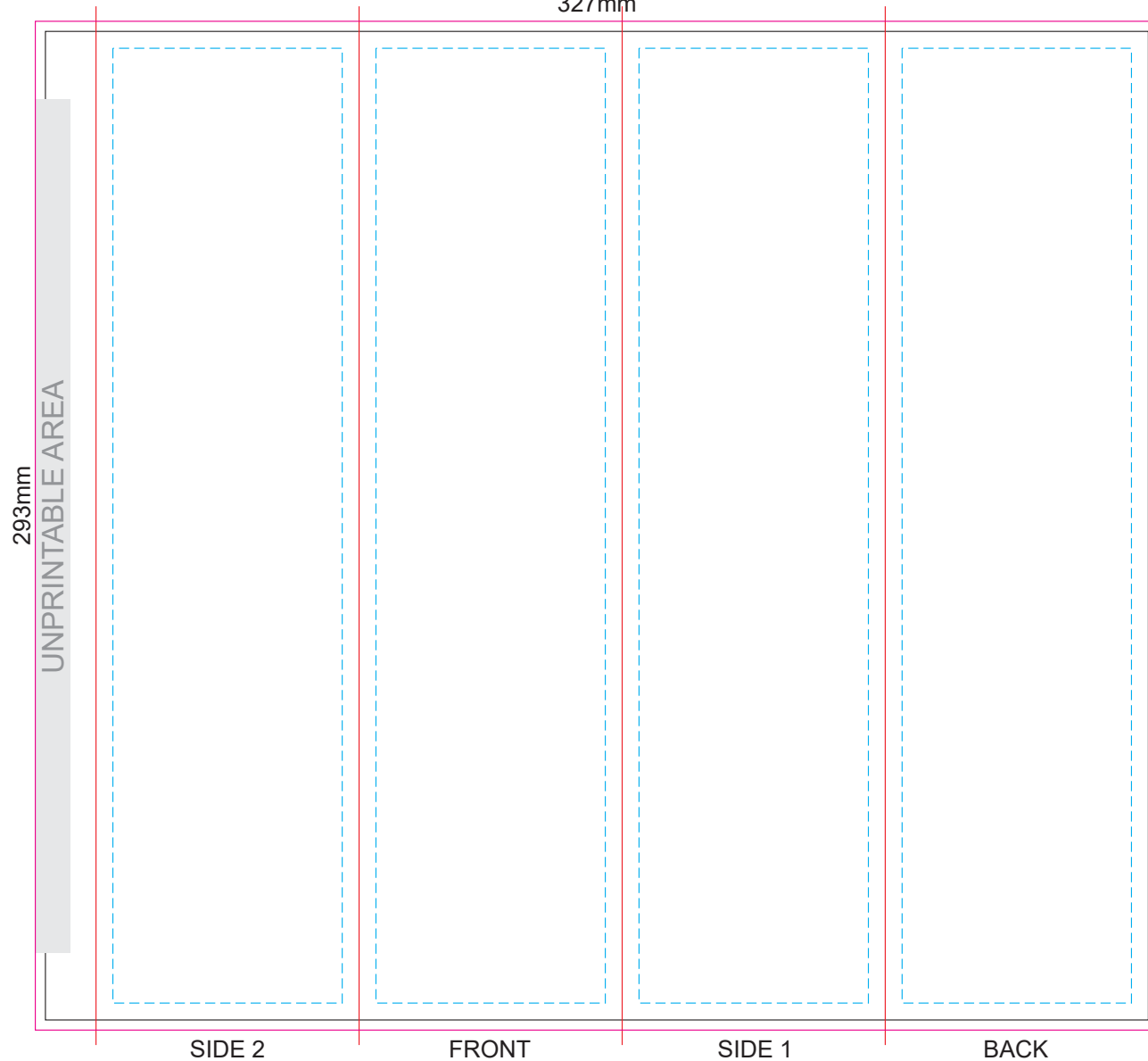
Branding area can be moved anywhere within the red line.

# GIFT BOX SLEEVE

50% of Actual Size

Digital Print

327mm



Blue Line = The SIGNIFICANT PRINT AREA  
(Keep all critical images & text within this box)

Black Line = Maximum print area

Pink Line = Bleed off to here

Red Line = Fold Line